

Measurement Guide



ATTENTION! The measurements listed below are NOT the dimensions of the garment! The values are the „body measurements“ of the person who is wearing the garment and are purely for guidance in choosing the right clothing size.

ACHTUNG! Bei den unten genannten Maßen handelt es sich NICHT um die Schnittmaße des gewählten Kleidungsstückes. Die genannten Werte sind die „Körpermaße“ der Person, die das Kleidungsstück tragen wird und dienen lediglich der Orientierung bei der Wahl der richtigen Konfektionsgröße.

Mens UK

To Fit	XXS	XS	S	M	L	XL	2XL	3XL	4XL	5XL	6XL	7XL
Collar inches	-	14	14.5	15	15.5	16	16.5	17	17.5	18	18.5	19
Collar cm	-	36	37	38	39-40	41	42	43	44	45-46	47	48
Chest inches	28-30	32-34	35	36-38	39	40	41	42	43	44	45	46-48
Mens Waist Inches	23-25	26-28	-	29-31	-	32-34	-	35-36	-	37-38	-	39-40
Mens Waist Cm	58-63	66-71	-	74-79	-	81-86	-	89-91	-	94-96	-	99-101

Mens European

To Fit	XXS	XS	S	M	L	XL	2XL	3XL	4XL	5XL	6XL	7XL
Collar inches	-	14	14.5	15	15.5	16	16.5	17	17.5	18	18.5	19
Collar cm	-	36	37	38	39-40	41	42	43	44	45-46	47	48
Chest inches	28-30	32-34	35	36-38	39	40	41	42	43	44	45	46-48
Chest cm	71-76	81-86	89	92-97	99	102	104	107	109	112	114	117-122
Mens European	38-40	42-44	-	46-48	49	50	51	52	53	54	55	56-58
Mens Waist Inches	23-25	26-28	-	29-31	-	32-34	-	35-36	-	37-38	-	39-40
Mens Waist Cm	58-63	66-71	-	74-79	-	81-86	-	89-91	-	94-96	-	99-101

Collar - Measure around the base of the neck whilst keeping one finger between the tape and the neck.

Chest - Measure around the fullest part of your chest keeping the tape under the upper arms and around the shoulder blades.

Womens UK

To Fit	XXS	XS	S	M	L	XL	2XL	3XL	4XL	5XL	6XL	7XL
Bust inches	28	30	32	34	36	38	40	42	44	46	48	50
Bust cm	71	76	81	86	91	96	102	107	112	117	122	127
Womens UK	6	8	10	12	14	16	18	20	22	24	26	28
Womens Waist Inches	21	23	25	27	29	31	33	-	-	-	-	-
Womens Waist Cm	54	59	64	69	74	79	84	-	-	-	-	-

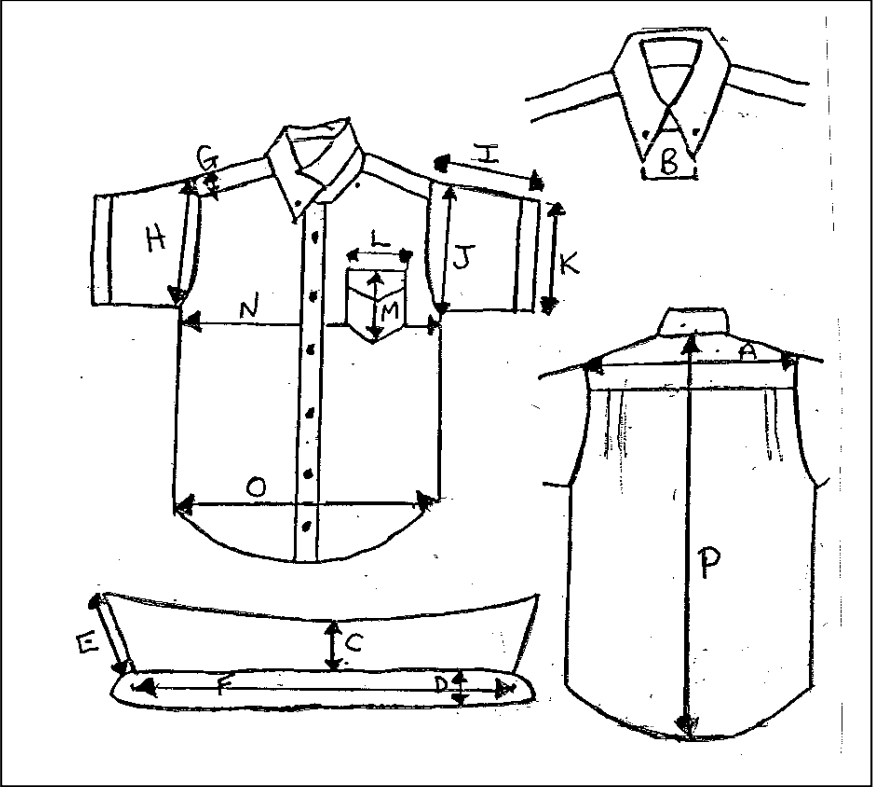
Womens European Sizes

To Fit	XXS	XS	S	M	L	XL	2XL	3XL	4XL	5XL	6XL	7XL
Bust inches	28	30	32	34	36	38	40	42	44	46	48	50
Bust cm	71	76	81	86	91	96	102	107	112	117	122	127
Womens France/Spain	34	36	38	40	42	44	46	48	50	52	54	56
Womens Germany	32	34	36	38	40	42	44	46	48	50	52	54
Womens Italy	38	40	42	44	46	48	50	52	54	56	58	60

Bust - Measure around the fullest part of your bust keeping the tape under the upper arms and around the shoulder blades.

Kids

Chest inches	22	24	26	28	30	32-34
Chest cm	56	61	66	71	76	81-86
Kids Age	3-4	5-6	7-8	9-10	11-12	13-14
Kids Height	104	116	128	140	152	164
Kids Waist Inches	-	22	24	26	28	30
Kids Waist Cm	-	56	61	66	71	76

	Date	16/3/15	Style No.	KK350
Order number:				
Customer: KUSTOM KIT				
Fabric: 70% COTTON				
30% POLYESTER				
OXFORD WEAVE				
135 gsm				
Description				
MEN'S WORKWEAR OXFORD SHORT SLEEVE				

To Fit	20	21	22	23		+/-
“ins/cms						
I	Sleeve length – sleeve head to end cuff	31	31.5	32	32.5	0.5
N	Chest – 2.5cms below armhole	76	81	85	89	1.0
P	Centre back length	90	91	92	92	1.0